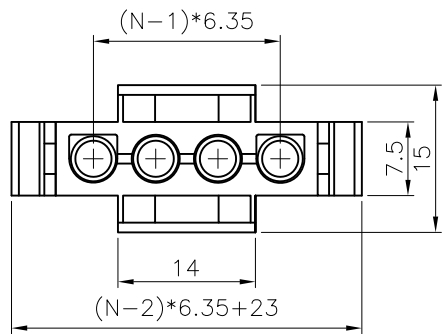
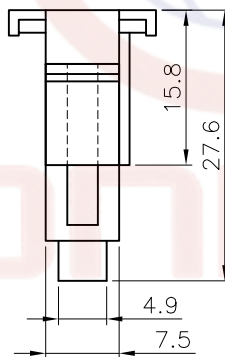
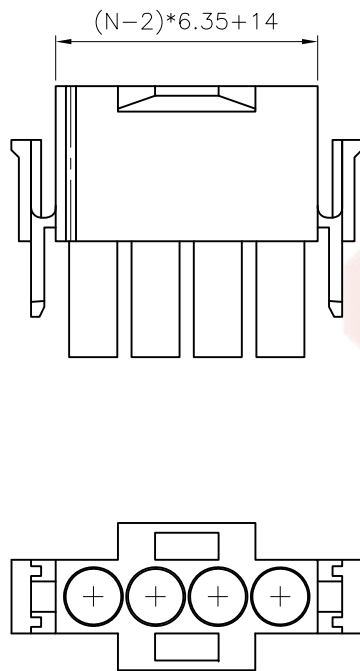


Female

REV.	DESCRIPTION	DRAWN	CHECKED	APPROVED
A	NEW RELEASE	WPY 06/16/25'		



N=No.of contacts



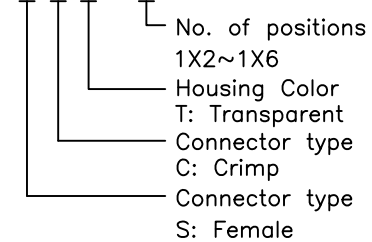
NOTES:

Materials:

1.Housing: PA66

Product Number Code:

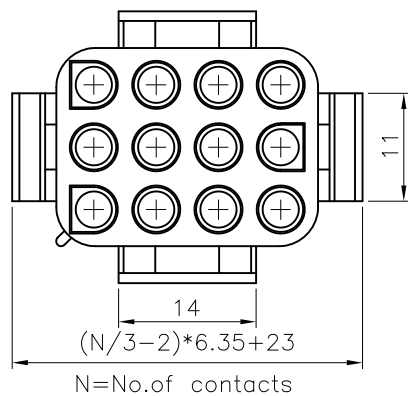
I-DS1148-10 - S C T O X



GENERAL TOLERANCE		ANGLE TOLERANCE		PROJECTION		TITLE
X.	±0.60	X.	±5°	UNITS	mm	63080 6.35mm wire to wire
.X	±0.38	.X	±3°	SHEET SIZE	A4	SERIES DS1148-10 SERIES
.XX	±0.25	.XX	±2°	晨翔电子有限公司 CONNFLY CONNFLY ELECTRONIC CO. LTD		
DRAWING TYPE		CUSTOMER				
SCALE	1:1	SHEET	1 OF 6			
DRAWING NO.		C-DS1148-10-XXX0X-A				

Female

REV.	DESCRIPTION	DRAWN	CHECKED	APPROVED
A	NEW RELEASE	WPY 06/16/25'		



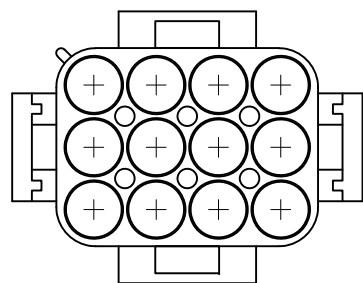
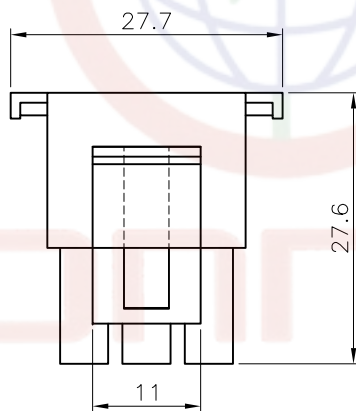
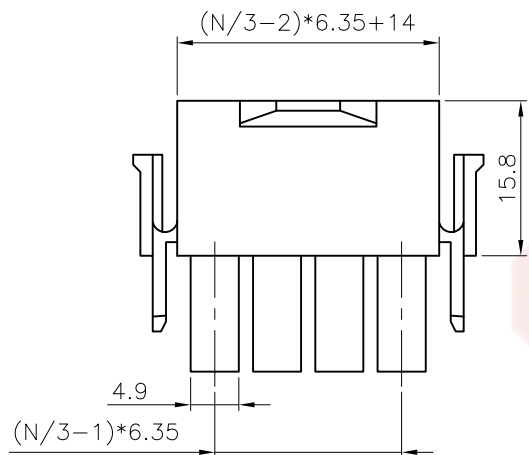
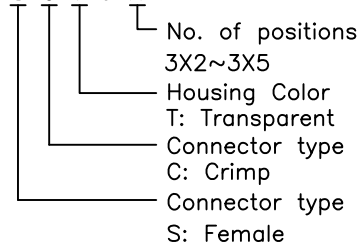
NOTES:

Materials:

1.Housing: PA66

Product Number Code:

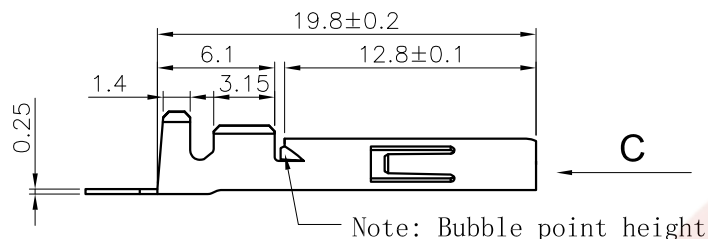
I-DS1148-10 - S C T O X



GENERAL TOLERANCE		ANGLE TOLERANCE		PROJECTION		TITLE	63080 6.35mm wire to wire		
X.	±0.60	X.	±5°	UNITS	mm	SERIES DS1148-10 SERIES			
.X	±0.38	.X	±3°	SHEET SIZE	A4				
.XX	±0.25	.XX	±2°						
DRAWING TYPE		CUSTOMER			晨翔电子有限公司 CONNFLY CONNFLY ELECTRONIC CO. LTD				
SCALE		1:1	SHEET 2 OF 6						
DRAWING NO.		C-DS1148-10-XXX0X-A							

Female Contact

REV.	DESCRIPTION	DRAWN	CHECKED	APPROVED
A	NEW RELEASE	WPY 06/16/25'		



NOTES:

Materials:

1.Contact: Phosphor bronze,T=0.25

Specifications:

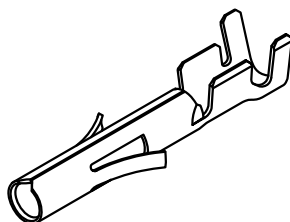
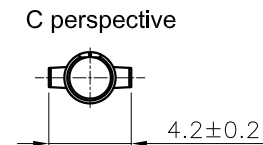
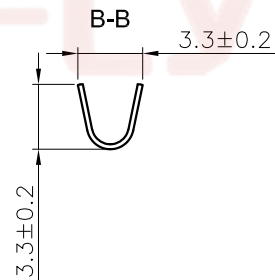
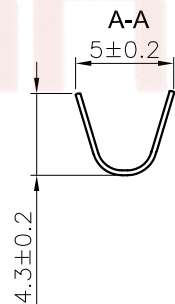
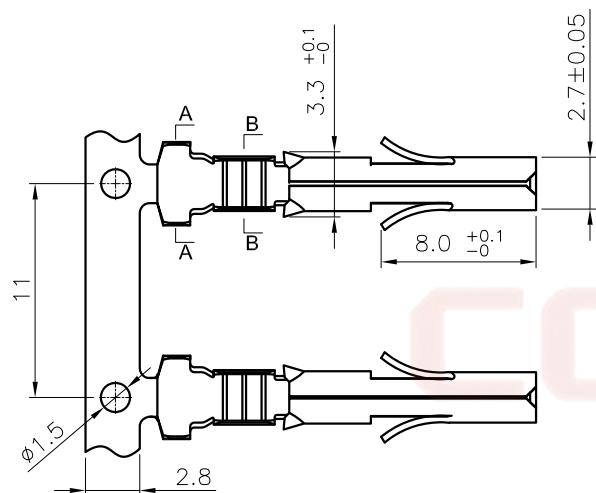
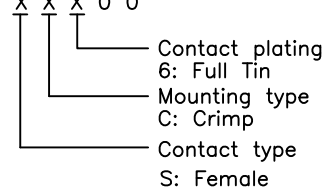
1.Temperature: -25°C~+85°C.

2.The terminal surface is smooth, without deformation, oxidation, poor electroplating, etc

3.Maximum burr size 0.03mm MAX;

Product Number Code:

T-DS1148-10 - X X X 0 0



GENERAL TOLERANCE		ANGLE TOLERANCE	
X.	±0.60	X.	±5°
.X	±0.38	.X	±3°
.XX	±0.25	.XX	±2°

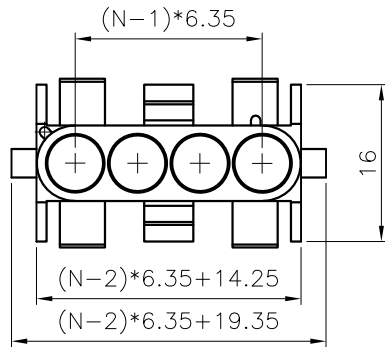
DRAWING TYPE	CUSTOMER		
SCALE	2:1	SHEET	3 OF 6
DRAWING NO.	C-DS1148-10-XXX0X-A		

PROJECTION		TITLE	63080 6.35mm wire to wire
UNITS	mm	SERIES	DS1148-10 SERIES

晨翔电子有限公司
CONFLY CONFLY ELECTRONIC CO. LTD

Male

REV.	DESCRIPTION	DRAWN	CHECKED	APPROVED
A	NEW RELEASE	WPY 06/16/25'		



N=No.of contacts

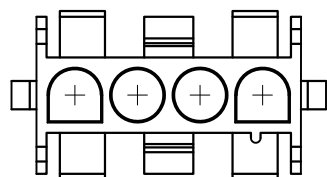
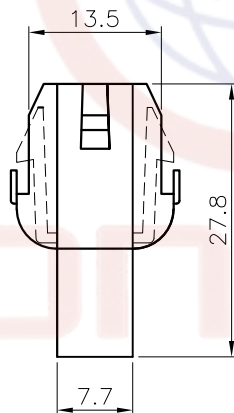
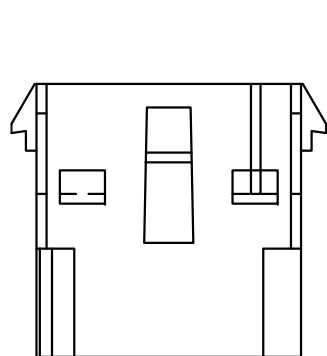
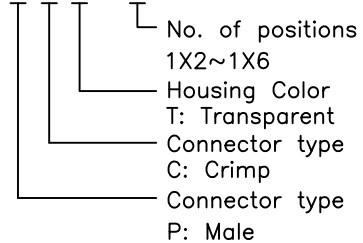
NOTES:

Materials:

1.Housing: PA66

Product Number Code:

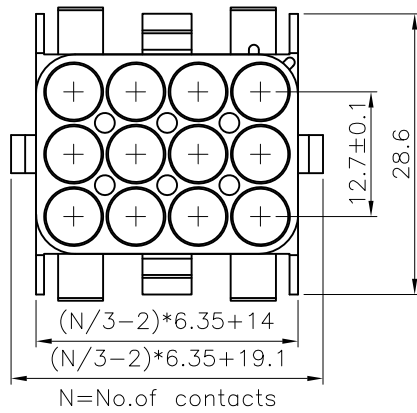
I-DS1148-10 - P C T O X



GENERAL TOLERANCE		ANGLE TOLERANCE		PROJECTION		TITLE	63080 6.35mm wire to wire		
X.	±0.60	X.	±5°	UNITS	mm	SHEET SIZE	A4	SERIES	DS1148-10 SERIES
.X	±0.38	.X	±3°	晨翔电子有限公司 CONNFLY CONNFLY ELECTRONIC CO. LTD					
.XX	±0.25	.XX	±2°						
DRAWING TYPE		CUSTOMER		晨翔电子有限公司 CONNFLY CONNFLY ELECTRONIC CO. LTD					
SCALE		1:1	SHEET						4 OF 6
DRAWING NO.		C-DS1148-10-XXX0X-A							

Male

REV.	DESCRIPTION	DRAWN	CHECKED	APPROVED
A	NEW RELEASE	WPY 06/16/25'		



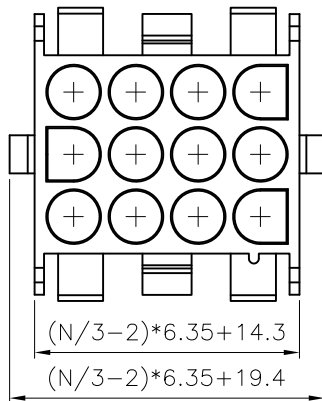
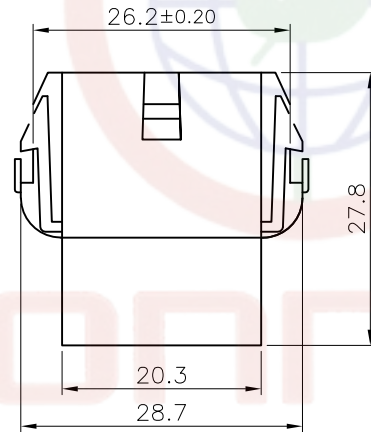
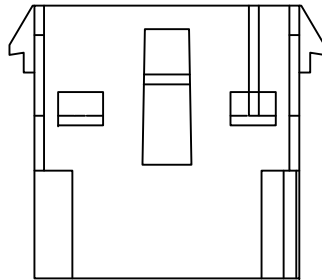
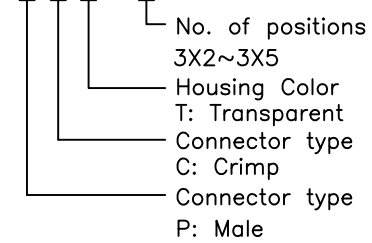
NOTES:

Materials:

1.Housing: PA66

Product Number Code:

I-DS1148-10 - P C T O X



GENERAL TOLERANCE		ANGLE TOLERANCE		PROJECTION		TITLE	63080 6.35mm wire to wire		
X.	±0.60	X.	±5°	UNITS	mm	SHEET SIZE	A4		
.X	±0.38	.X	±3°			SERIES	DS1148-10 SERIES		
.XX	±0.25	.XX	±2°						
DRAWING TYPE		CUSTOMER		晨翔电子有限公司 CONNFLY CONNFLY ELECTRONIC CO. LTD					
SCALE	1:1	SHEET	5 OF 6						
DRAWING NO.	C-DS1148-10-XXX0X-A								

Male Contact

REV.	DESCRIPTION	DRAWN	CHECKED	APPROVED
A	NEW RELEASE	WPY 06/16/25'		

NOTES:

Materials:

1.Contact: Phosphor bronze,T=0.25

Specifications:

1.Temperature: -25°C~+85°C.

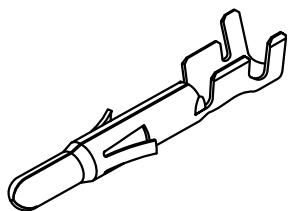
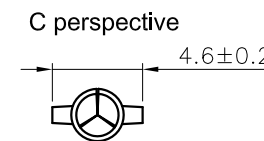
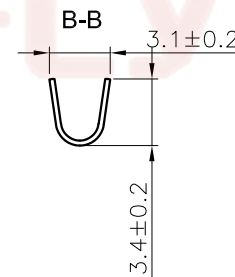
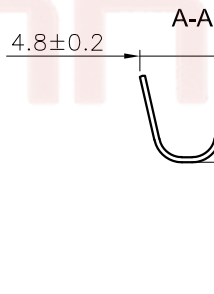
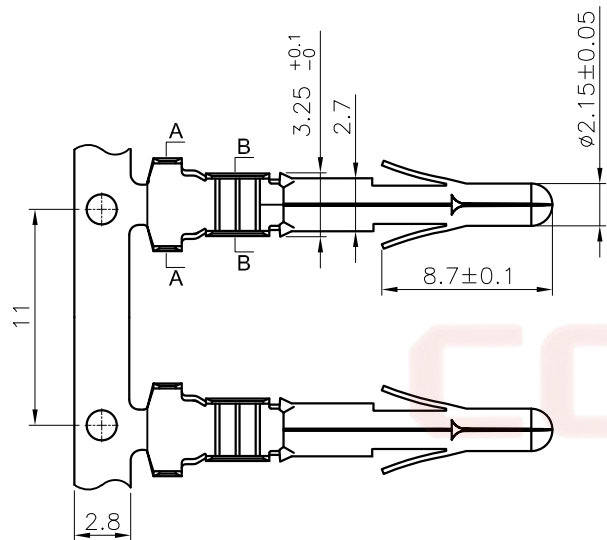
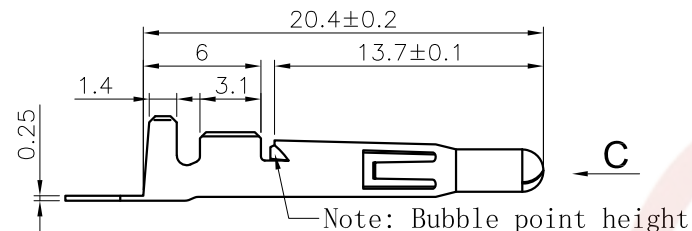
2.The terminal surface is smooth, without deformation, oxidation, poor electroplating, etc

3.Maximum burr size 0.03mm MAX;

Product Number Code:

T-DS1148-10 - X X X 0 0

- X Contact plating
- 6: Full Tin
- Mounting type
- C: Crimp
- Contact type
- P: Male



GENERAL TOLERANCE		ANGLE TOLERANCE	
X.	±0.60	X.	±5°
.X	±0.38	.X	±3°
.XX	±0.25	.XX	±2°

DRAWING TYPE	CUSTOMER		
SCALE	2:1	SHEET	6 OF 6
DRAWING NO.	C-DS1148-10-XXX0X-A		

PROJECTION		TITLE	63080 6.35mm wire to wire
UNITS	mm	SERIES	DS1148-10 SERIES

晨翔电子有限公司
CONNFly CONNFly ELECTRONIC CO. LTD