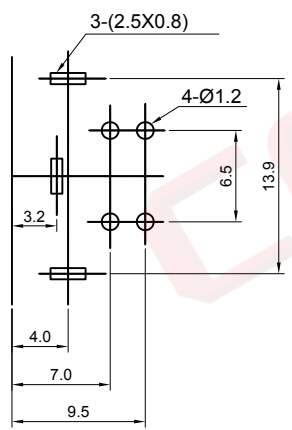
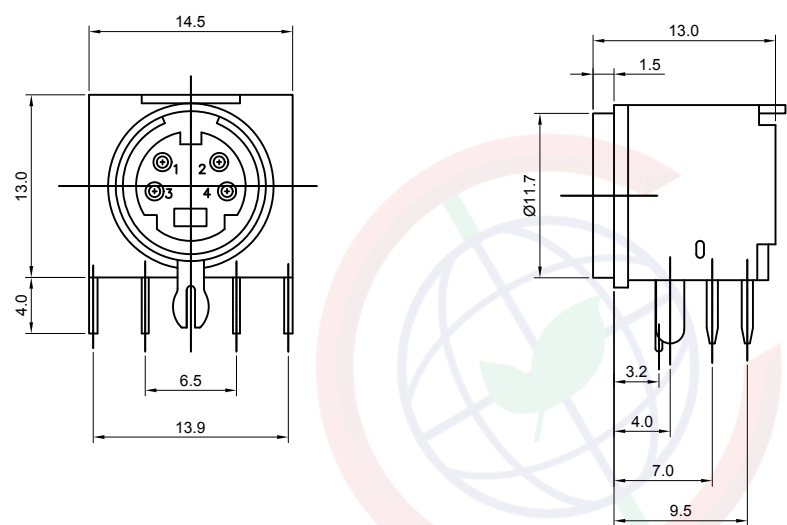
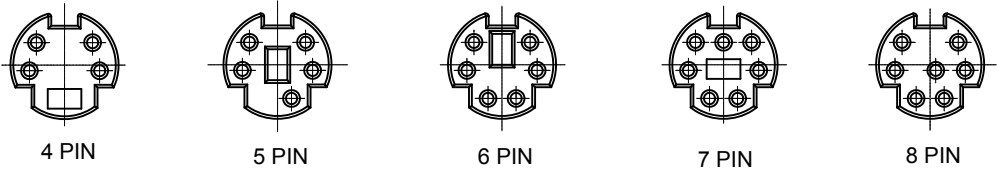


The information provided herein is from CONNELY Electronic Co., Ltd. and is confidential. Any disclosure to a party other than the recipient is prohibited. The intellectual properties and its rights contained herein, including but not limited to, trademarks, patents, copyrights, trade secrets, and technical know-how, are owned exclusively by CONNELY or its affiliates. Unauthorized use or reproduction of any part of this document is strictly prohibited. CONNELY may enforce its intellectual property rights at its own discretion, failures or delays to exercise such rights does not constitute a waiver of such rights.

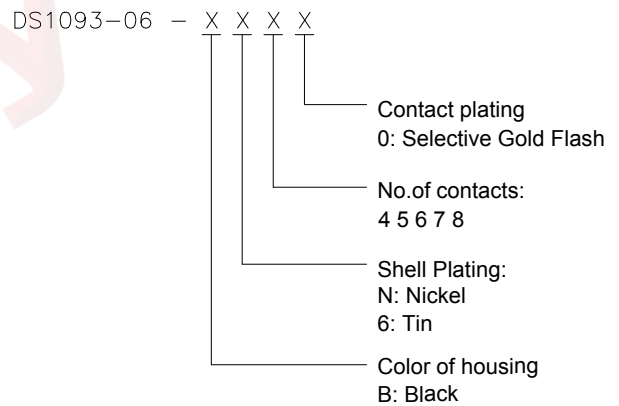


RECOMMEND PCB LAYOUT(TOLERANCE=±0.05)



REV.	DESCRIPTION	DRAWN	CHECKED	APPROVED
A	NEW RELEASE	LJH 11/16/05'		LJC 11/16/05'
B	DRAWING UPDATE	JLZ 07/25/16'		

- Notes:
- Specifications:
- Contact Resistance: 30mΩ Max.
 - Insulation Resistance: 100MΩ Min(@250V).
 - Dielectric Withstanding Voltage: 500V AC(rms) For 1 Minute.
 - Current Rating:1A.
 - Voltage Rating:50V AC rms.
 - Temperature: -40°C~+85°C.
- Materials:
- Contact Materials: Copper Alloy.
 - Contact Plating: Tin Plating Over Nickel.
 - Insulator Material: PBT,Black.
 - Sheel Material: Steel.
- Product Number Code:



GENERAL TOLERANCE		ANGLE TOLERANCE		PROJECTION	TITLE
X.	±0.60	X.	±5°		Mini Din 801 Type
.X	±0.38	.X	±3°	mm	
.XX	±0.25	.XX	±2°	A4	SHEET SIZE
DRAWING TYPE		CUSTOMER		SERIES	DS1093-06 SERIES
SCALE		1:1	SHEET	1 OF 1	
DRAWING NO.		C-DS1093-06-XXXX-B			

晨翔电子有限公司
 CONNELY CONNELY ELECTRONIC CO. LTD